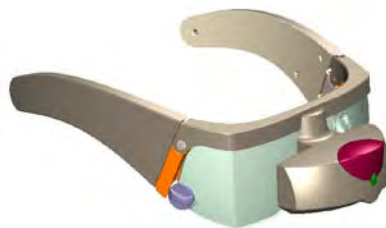


# Gary Hart Designs..... 1

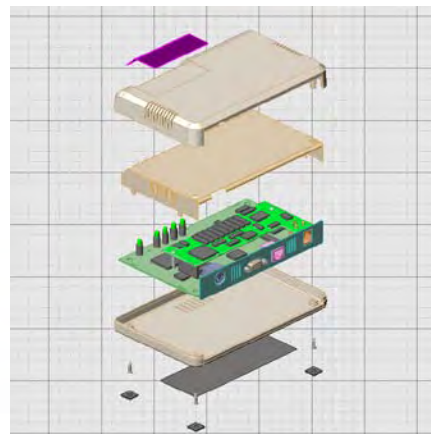
Product Development Service - Mechanical Design Concepts - Plastic Part Engineering  
SOLIDWORKS 3D CAD Models - Rapid Prototyping - Electro-Mechanical Master Layouts



9MM pistol Cad contest



Surgery Head Gear



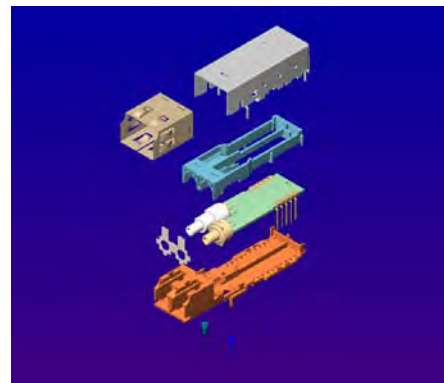
Modem Assembly



Stirling Design.... cork screw



Franmara Client



Siemens Fiber Optic Connector



GasTech gas detector



Floss Tool



GynaCare Enclosure

Voice; (831) 425-6510  
125 - Clark Avenue, Santa Cruz, Ca. 95060  
Web page; [www.ghdzn.com](http://www.ghdzn.com)

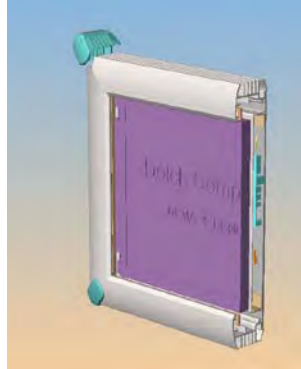
Cell; (831) 239-9170  
E-Mail; [ghart9170@gmail.com](mailto:ghart9170@gmail.com)

# Gary Hart Designs..... 2

Product Development Service - Mechanical Design Concepts - Plastic Part Engineering  
SOLIDWORKS 3D CAD Models - Rapid Prototyping - Electro-Mechanical Master Layouts



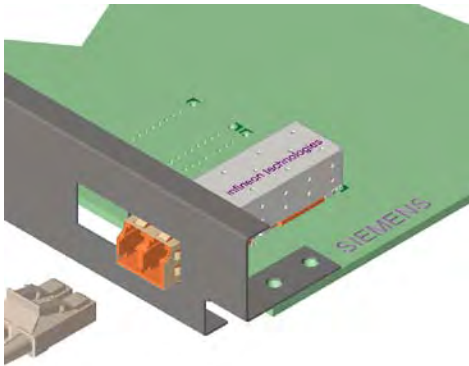
Stirling Design....2 Floss project



Dolch Nema 4 display



AT&T Phone study model



Siemens Fiber Optic Connector



Xybernaut,.....wearable computer system....enclosures

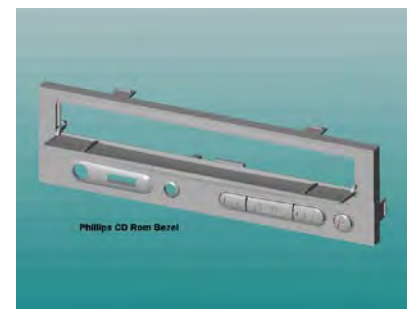


Xybernaut CPU Case



Cigar Box Asm

Gibson Design.....Cigar Box Case product



Phillips CD Rom Bezel

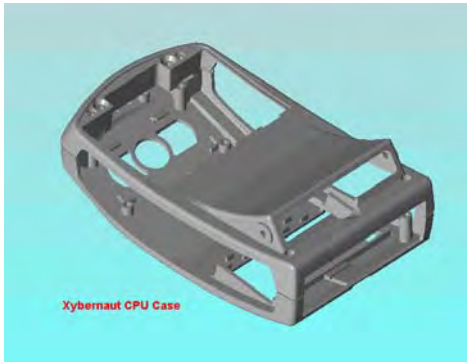
Phillips Drive Bezel

Voice; (831) 425-6510  
125 - Clark Avenue, Santa Cruz, Ca. 95060

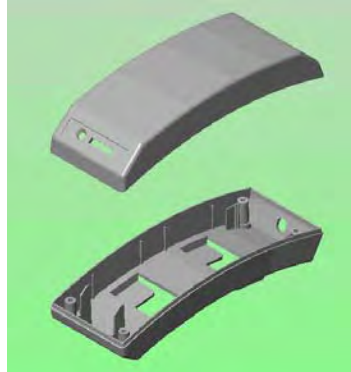
Cell; (831) 239-9170  
E-Mail; ghart9170@gmail.com

# Gary Hart Designs..... 3

Product Development Service - Mechanical Design Concepts - Plastic Part Engineering  
SOLIDWORKS 3D CAD Models - Rapid Prototyping - Electro-Mechanical Master Layouts



*Xybernaut CPU Enclosure*



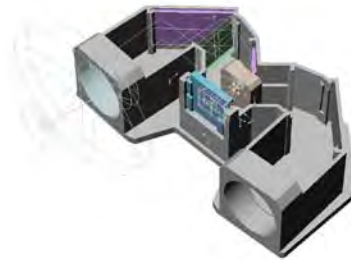
*Xybernaut Battery Case*



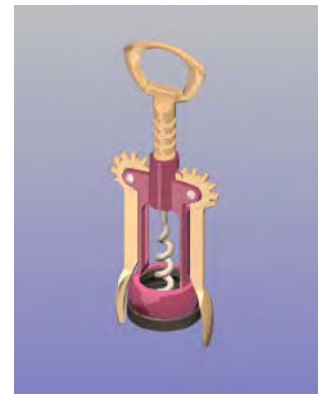
*Phillips Drive Buttons*



*OptiVu HDVD Cad Proto*



*Optical Path Prototype*



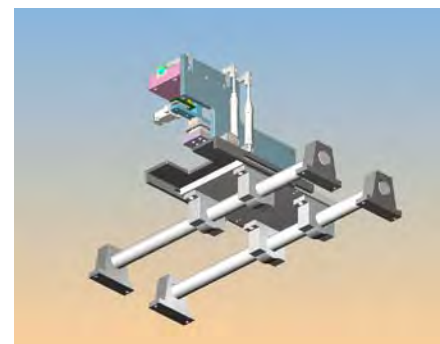
*Cork Screw study*



*Stirling Design Orion Telescope*



*Cad spoon study*



*Raytek assembly fixture*

Voice; (831) 425-6510  
125 - Clark Avenue, Santa Cruz, Ca. 95060

Cell; (831) 239-9170  
E-Mail; [gheart9170@gmail.com](mailto:gheart9170@gmail.com)

# Gary Hart Designs.....

Product Development Service - Mechanical Design Concepts - Plastic Part Engineering  
SOLIDWORKS 3D CAD Models - Rapid Prototyping - Electro-Mechanical Master Layouts

*Reverse Engineer a 9MM Browning Pistol for a Solidworks CAD completion....rejected  
because of subject matter.*



*Showing Transparent Assembly*



*9MM Pistol 3D View*



*Showing Exploded Assembly*



*Showing Cross Section of Assembly*

# Gary Hart Designs..... 5

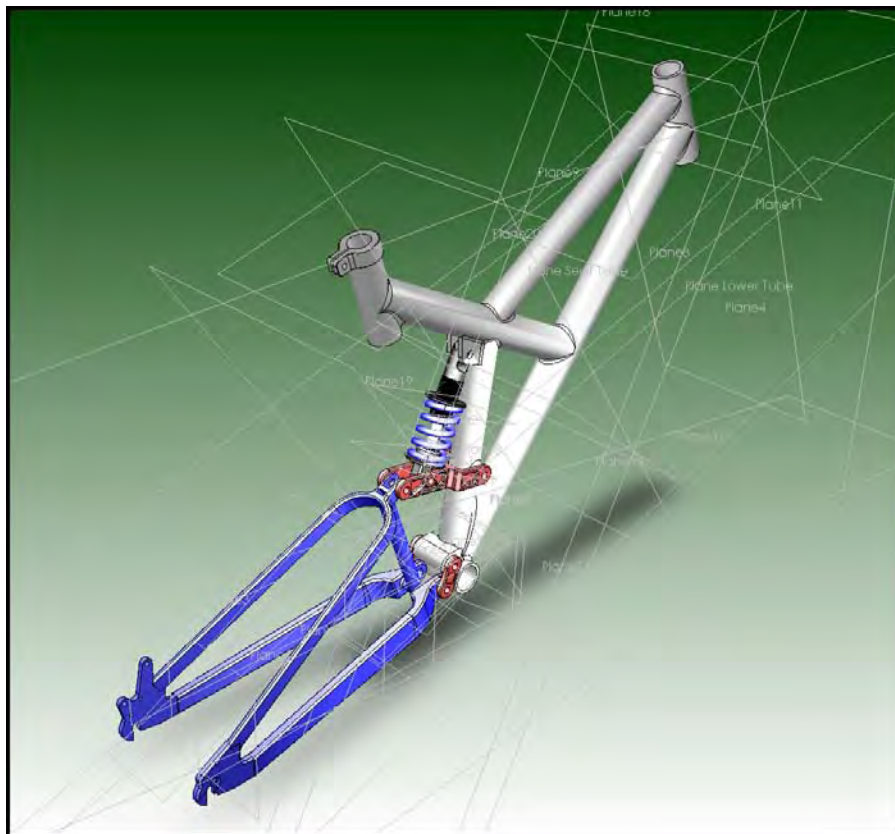
Product Development Service - Mechanical Design Concepts - Plastic Part Engineering  
SOLIDWORKS 3D CAD Models - Rapid Prototyping - Electro-Mechanical Master Layouts



*Personal CarbonFiber MT Bike study*



*Aluminum MT Bike Frame study*



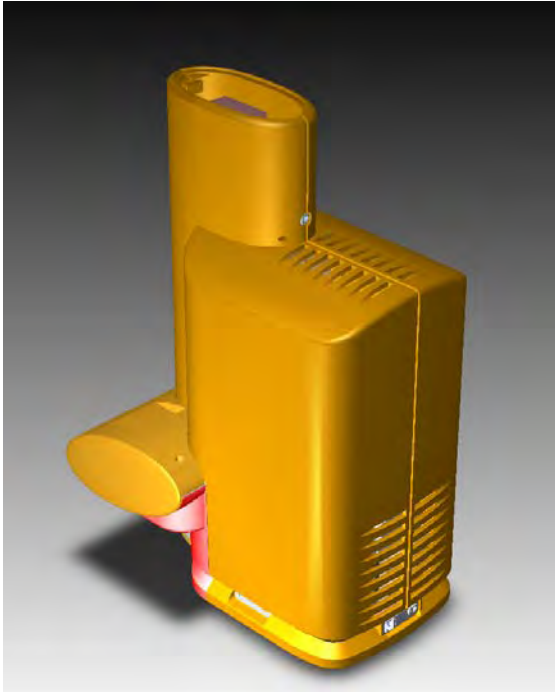
*Master Mountain Bike Geometry..... CAD Model personal project*

Voice; (831) 425-6510  
125 - Clark Avenue, Santa Cruz, Ca. 95060

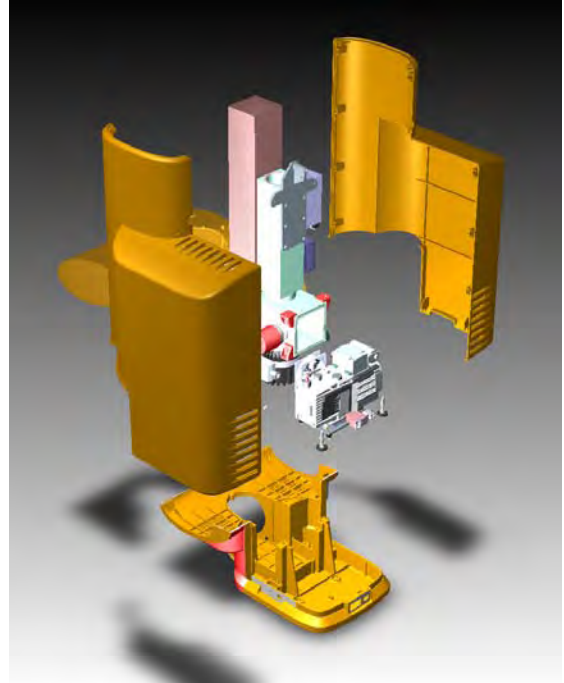
Cell; (831) 239-9170  
E-Mail; ghart9170@gmail.com

# Gary Hart Designs..... 6

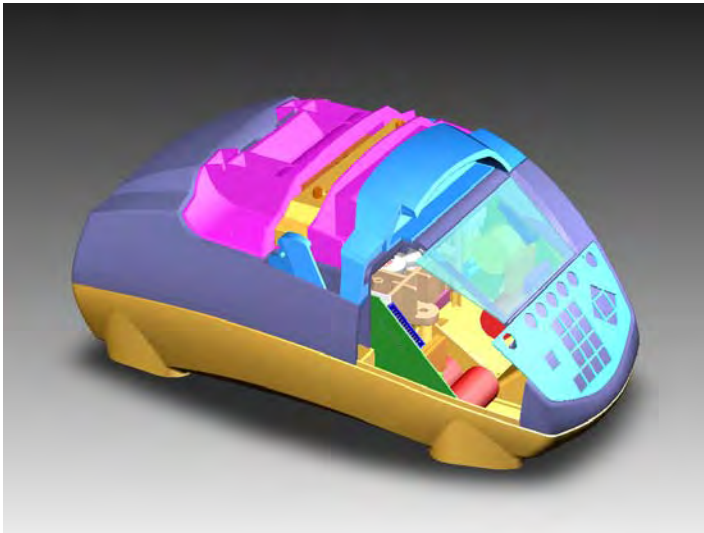
Product Development Service - Mechanical Design Concepts - Plastic Part Engineering  
SOLIDWORKS 3D CAD Models - Rapid Prototyping - Electro-Mechanical Master Layouts



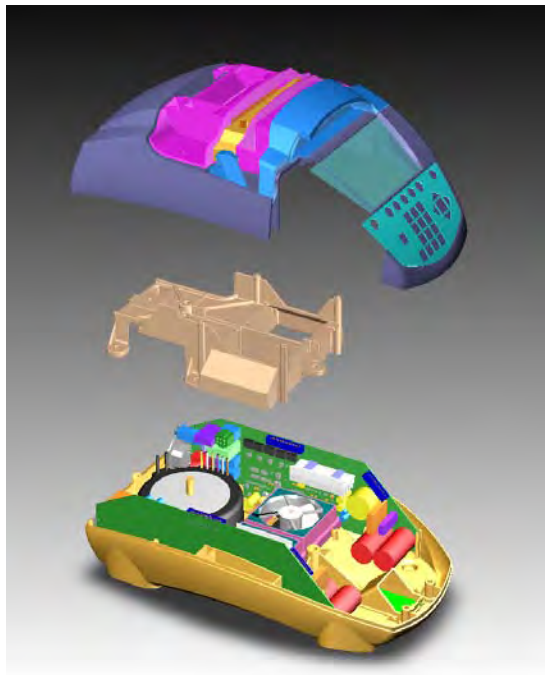
SMP Tech....Client, CIPHERGEN, protein Analyzer



Structural Form Enclosure parts

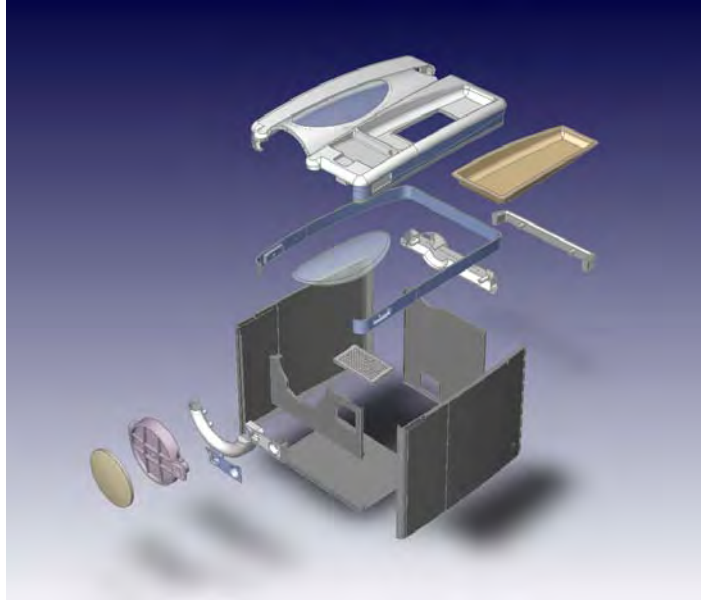


FayRam Design and SMP Tech..... for BioRad, Thermal Cycler product

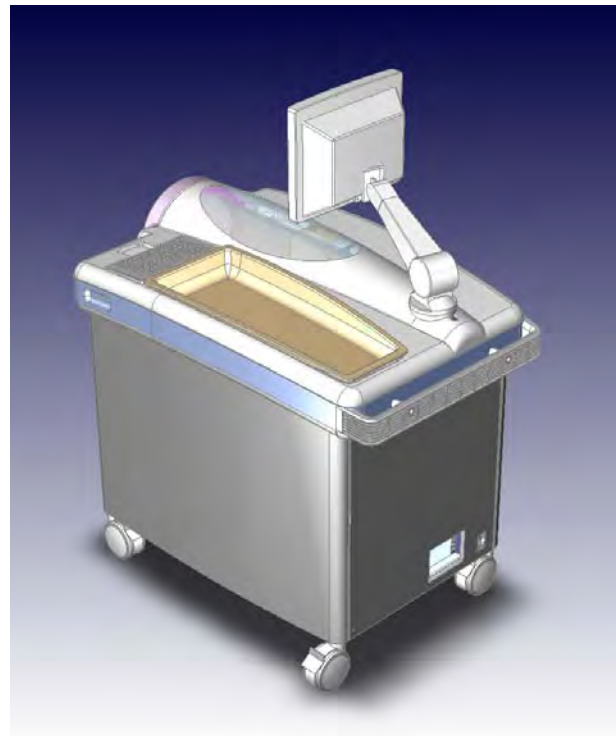


# Gary Hart Designs..... 7

Product Development Service - Mechanical Design Concepts - Plastic Part Engineering  
SOLIDWORKS 3D CAD Models - Rapid Prototyping - Electro-Mechanical Master Layouts



Contract to; SMP Technology and Stirling Design for "Life Measurement Inc." "PeaPod" project.



Thermo Formed Enclosures..... vendor; "Freetech Plastics"

Voice; (831) 425-6510  
125 - Clark Avenue, Santa Cruz, Ca. 95060

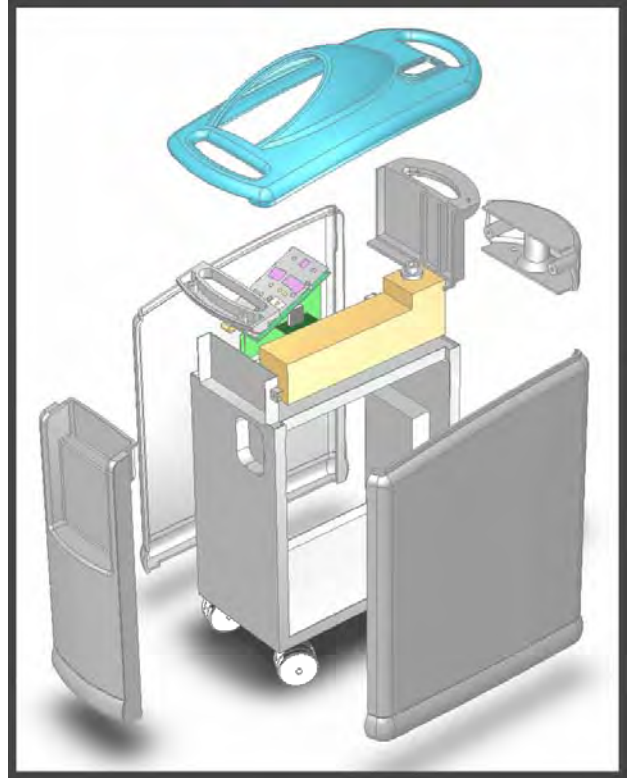
Cell; (831) 239-9170  
E-Mail; ghart9170@gmail.com

# Gary Hart Designs..... 8

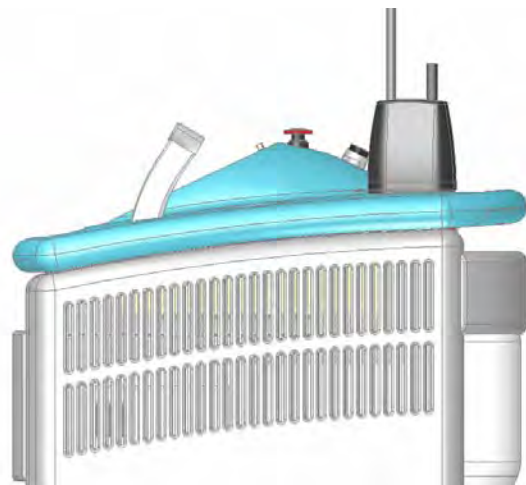
Product Development Service - Mechanical Design Concepts - Plastic Part Engineering  
SOLIDWORKS 3D CAD Models - Rapid Prototyping - Electro-Mechanical Master Layouts



Early Solidworks CAD master model



Structural Form Enclosure Assembly



Contract to: Stirling Design....."VeraWave" laser product for "Hoya ConBio"

Voice: (831) 425-6510  
125 - Clark Avenue, Santa Cruz, Ca. 95060

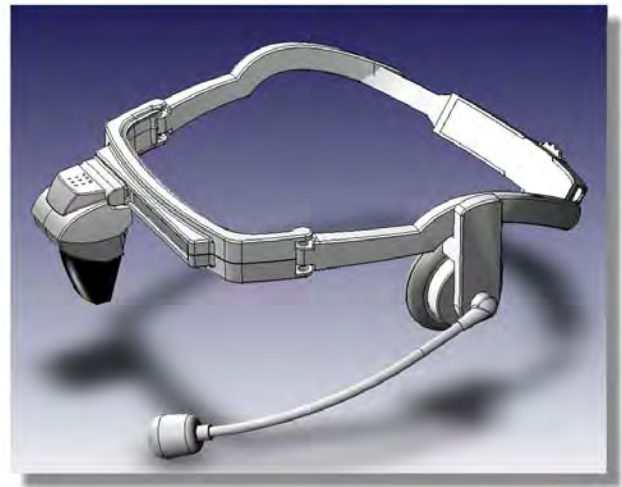
Cell: (831) 239-9170  
E-Mail: ghart9170@gmail.com



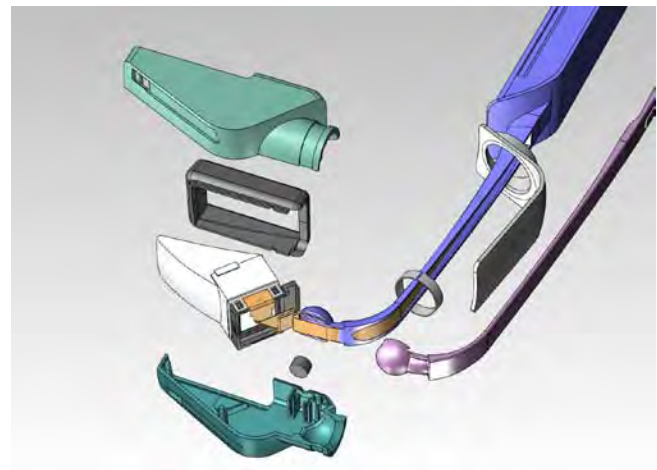
# *Gary Hart Designs..... 9*

Product Development Service - Mechanical Design Concepts - Plastic Part Engineering  
SOLIDWORKS 3D CAD Models - Rapid Prototyping - Electro-Mechanical Master Layouts

## *Head Gear Designs,...molded Plastics*



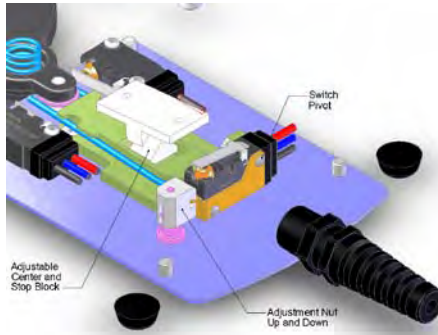
*Contract work for Pete Ronzani,..... Director of Design for "Xybernaut Corp"*



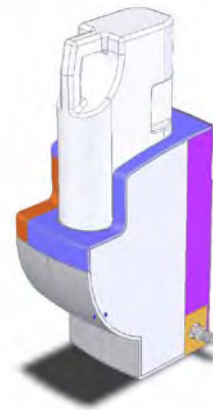
*Contract to "IDE Inc".....Optical Head Gear for client, "Kopin Displays" model for trade show.*

# Gary Hart Designs..... 10

Product Development Service - Mechanical Design Concepts - Plastic Part Engineering  
 SOLIDWORKS 3D CAD Models - Rapid Prototyping - Electro-Mechanical Master Layouts

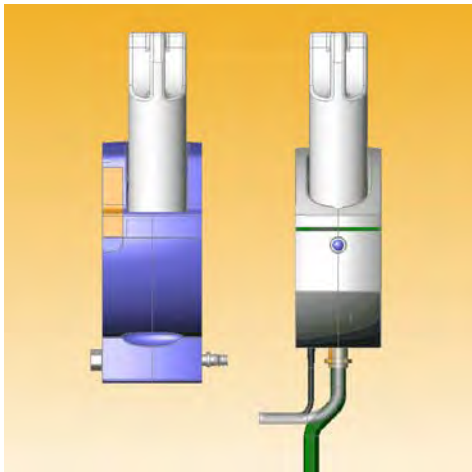


Stirling Design Clients; IRIDEX Inc..... Optical Foot pedal controller



RayTek..... Laser Thermometer Gun

JohnsonDiversey....study



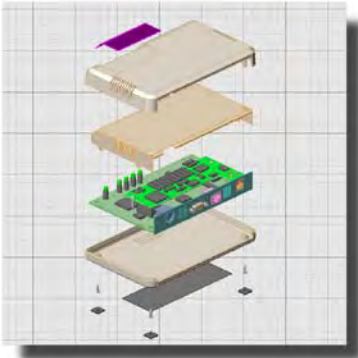
Design Genesis Client

Franmara Client

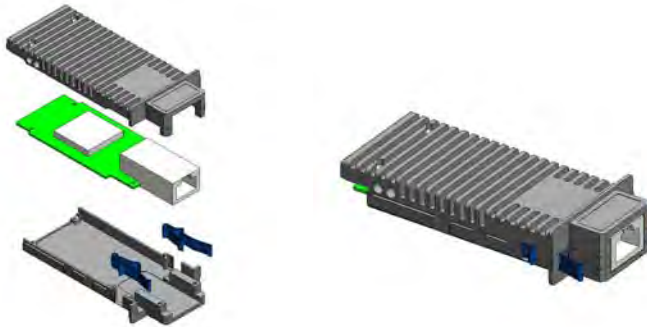
Stirling Design Projects.....

# Gary Hart Designs..... 11

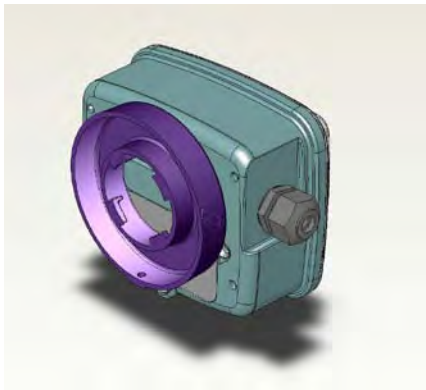
Product Development Service - Mechanical Design Concepts - Plastic Part Engineering  
 SOLIDWORKS 3D CAD Models - Rapid Prototyping - Electro-Mechanical Master Layouts



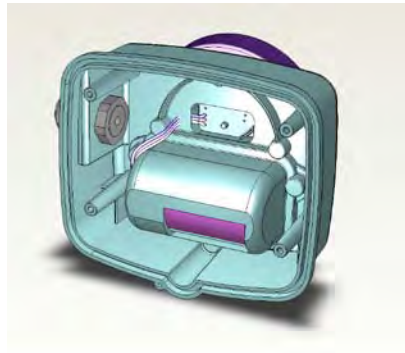
Acucor Modem



SolarFlare....Die Casting Enclosure connector Asm



Silver Springs Network.....



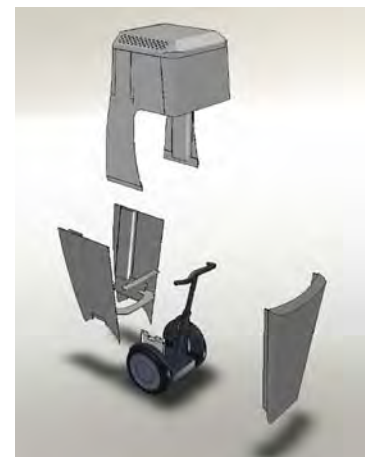
First Smart Meter for water meters, molded plastics



Calculator Table Case



New "I-Beam" bike seat post concept.



Talesfore Designs

Voice; (831) 425-6510  
 125 - Clark Avenue, Santa Cruz, Ca. 95060  
 Web page; www.ghdzn.com

Cell; (831) 239-9170  
 E-Mail; ghart9170@gmail.com